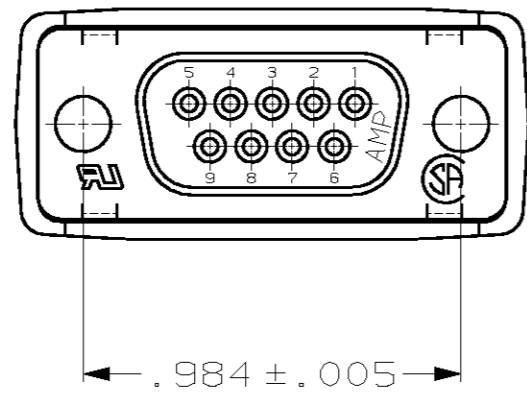
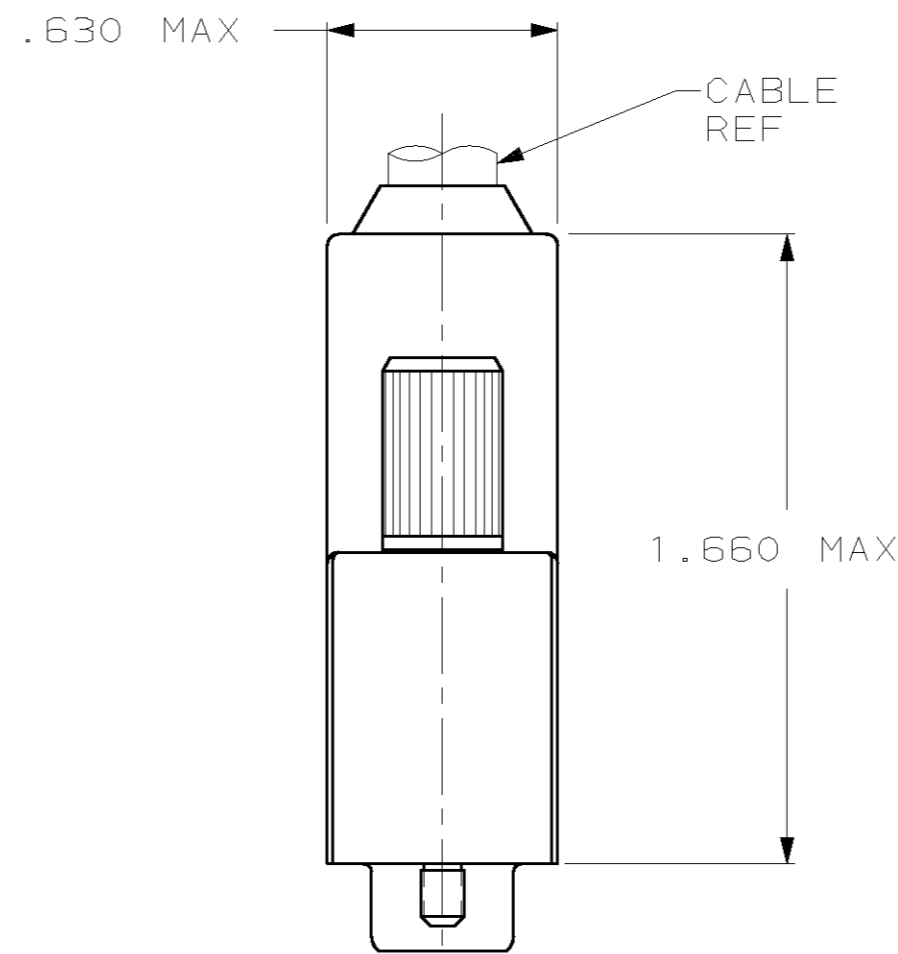
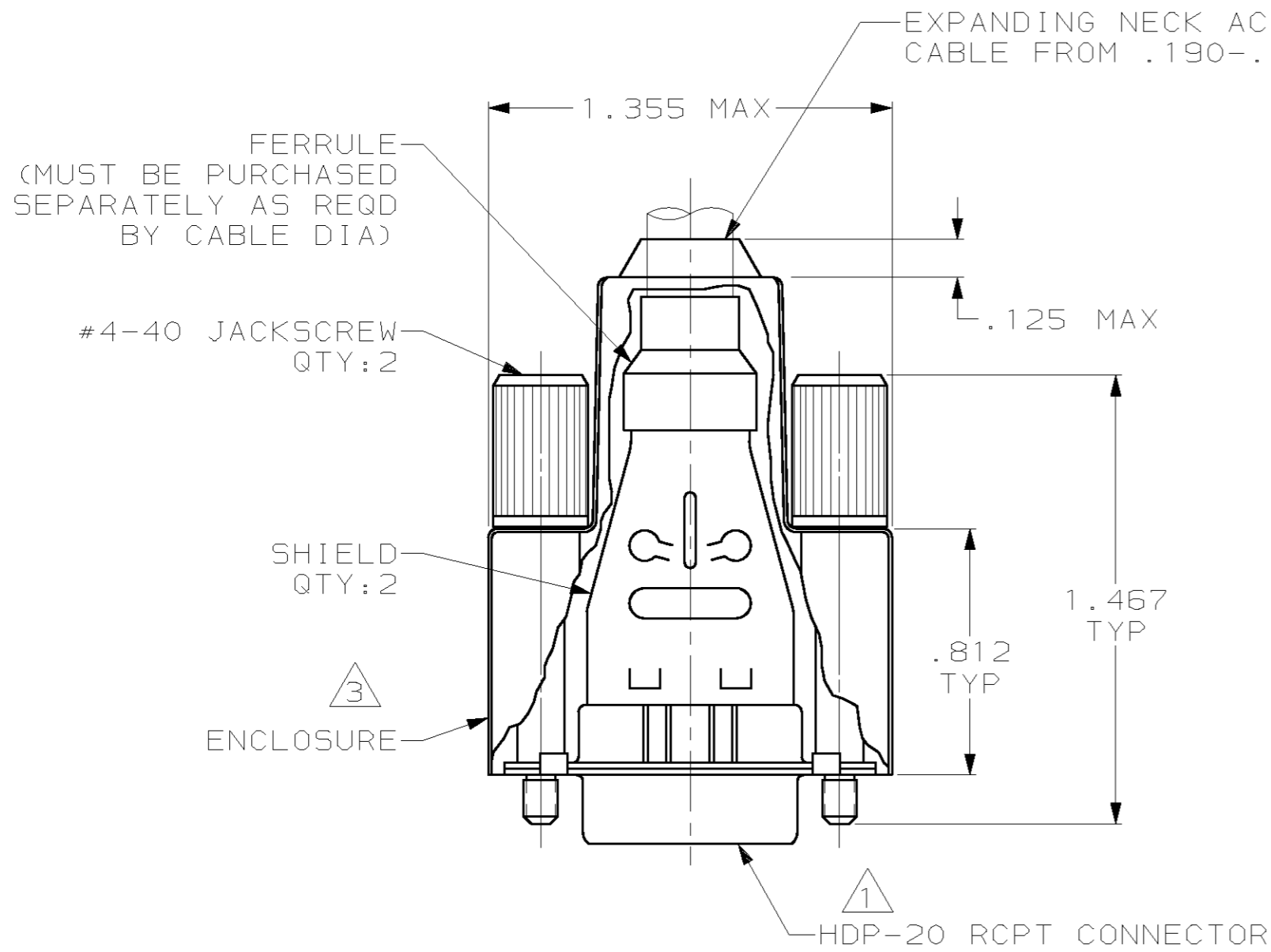


THIS DRAWING IS UNPUBLISHED. RELEASED FOR PUBLICATION
 (C) COPYRIGHT 19 BY AMP INCORPORATED. ALL RIGHTS RESERVED.

LOC	DIST	REVISIONS					
GP	00	P	LTR	DESCRIPTION	DATE	DWN	APVD
		0		RELEASED PER EC 0513-0196-03	31JUL03	JR	JG



- ① RECEPTACLE ACCEPTS SIZE DF SOCKET CONTACTS. CONTACTS MUST BE PURCHASED SEPARATELY.
- 2. ALL PARTS SHIPPED UNASSEMBLED.
- ③ STYRENE POLYOLEFIN OR PVC, 94V-0 RATED, FLAME RETARDANT, BLACK.
- ④ NYLON OR POLYESTER, 94V-0 RATED, GLASS FILLED, FLAME RETARDANT, BLACK.
- ⑤ STEEL PER ASTM A109.
- ⑥ .000200 MIN TIN PLATE OVER .000100 MIN COPPER UNDERPLATE.
- ⑦ ZINC PHOSPHATE COATING, BLACK.
- ⑧ COMPONENTS INDIVIDUALLY BULK PACKED.

⑧	W/LOGO	⑦	ZINC ALLOY	1658654-1
PACKAGING	REMARKS	JACKSCREW FINISH	JACKSCREW MATERIAL	PART NUMBER

THIS DRAWING IS A CONTROLLED DOCUMENT.		DWN	J. REITZEL	31 JUL 03	AMP Incorporated Harrisburg, PA 17105-3608	
DIMENSIONS: INCH		CHK	S. BOLASH	31 JUL 03		
TOLERANCES UNLESS OTHERWISE SPECIFIED:		APVD	M. WALMSLEY	31 JUL 03		
0 PLC ±- 1 PLC ±- 2 PLC ±- 3 PLC ±.020 4 PLC ±- ANGLES ±-		NAME	BULK KIT, RECEPTACLE, SHIELDING ENCLOSURE, SIZE 1, 9 POSN, AMPLIMITE™ HDP-20			
MATERIAL INSERT: ④		PRODUCT SPEC	108-40030		SIZE	A2
SHELLS & SHIELDS: ③		APPLICATION SPEC	114-40030		CAGE CODE	00779
JACKSCREWS: SEE TABLE		FINISH SHELLS & SHIELDS: ③	JACKSCREWS: SEE TABLE		DRAWING NO	1658654
		WEIGHT	-		RESTRICTED TO	-
		CUSTOMER DRAWING			SCALE	2:1
					SHEET	1 OF 1
					REV	0

1658654